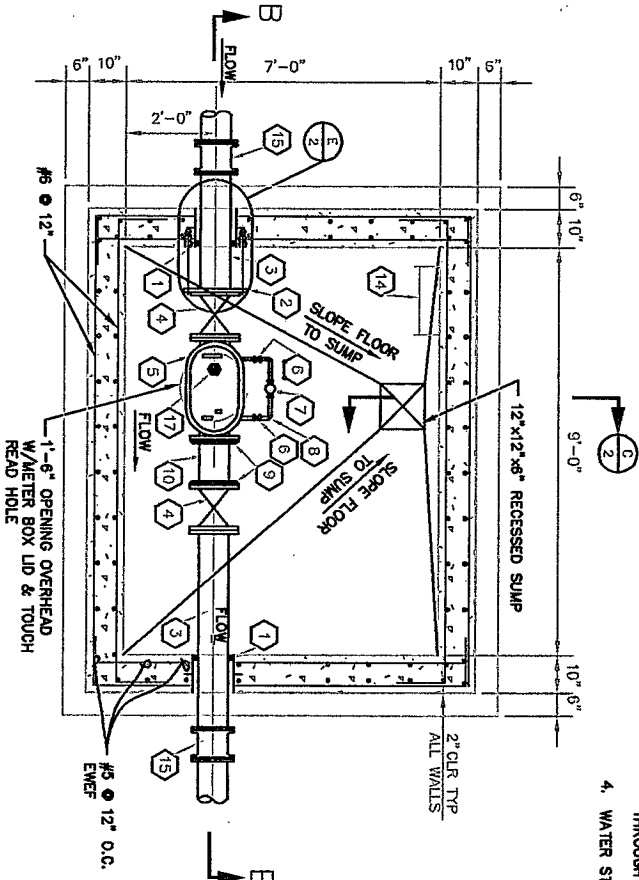
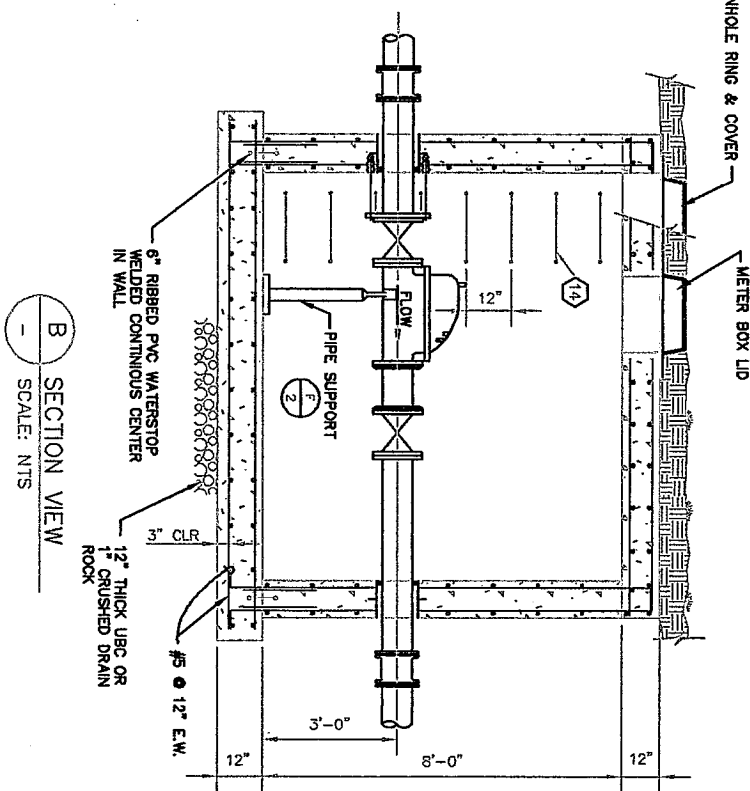


NOTES:  
 VAULT FITTINGS MAY BE 8" OR 8"  
 DESIGN CRITERIA  
 -LOADING: H-20  
 -WATER LEVEL: SURFACE



A FLOW DETECTOR CHECK VAULT  
 PLAN VIEW  
 SCALE: NTS

NOTE:  
 CAST-IN-PLACE BOX SHOWN. PRECAST BOX  
 ALTERNATE SUBJECT TO FOLLOWING:  
 1. H-20 LOADING  
 2. SUBMERGENCE DEPTH OF 8 FEET.  
 3. NO HORIZONTAL JOINTS,  
 THROUGH THE PIPE OPENINGS.  
 4. WATER STOP @ WALL/FLOOR JOINT.  
 30" MANHOLE RING & COVER

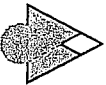


B SECTION VIEW  
 SCALE: NTS

MARK	DESCRIPTION
1	GALV. PIPE SLEEVE WITH 3" SEEP RING AND "LINK SEAL"
2	THRUST RESTRAINT
3	FLAPE PIPE
4	GATE VALVE FLANGED
5	DETECTOR CHECK VALVE FLANGED, BRONZE FITTED W/ BY PASS METER
6	3/4" BALL VALVE SCREWED
7	3/4" SERVICE METER W/TOUCH READ (BY DISTRICT)
8	3/4" BRASS PIPING SCREWED
9	GROOVED FLANGED ADAPTOR

MARK	DESCRIPTION
10	GROOVED END PIPE
11	8"x8"x4" OR 6"x6"x4" FL TEE
12	4" SWING CHECK VALVE FLANGED (BRONZED FITTED)
13	FL BASE 90° BEND
14	POLYPROPYLENE MH STEPS @ 12" O.C.

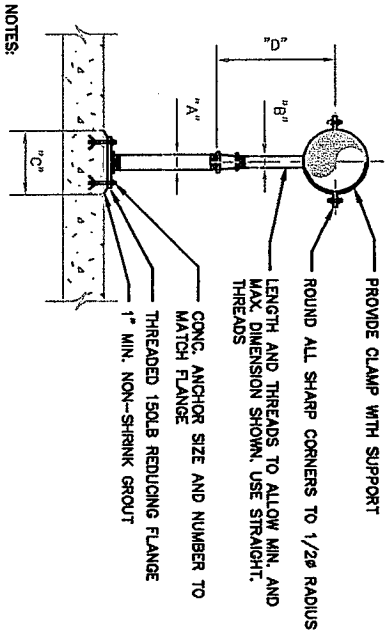
MARK	DESCRIPTION
15	MJ SOLID SLEEVE W/MEGA LUG RESTRAINTS
16	4" FLGROOVED END PIPE
17	PIPE SUPPORT
18	4" BLIND FLANGE W/THREADED HOLE & THREADED NIPPLE
19	2 1/2" x 2 1/2" x 4" BRONZE 90° FIRE DEPARTMENT CONNECTION



WATER PRO INC.

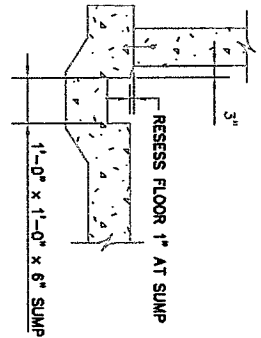
6" & 8" FIRE FLOW DETECTOR

STANDARD DETAIL	9
DRAWING NO.	1 OF 2

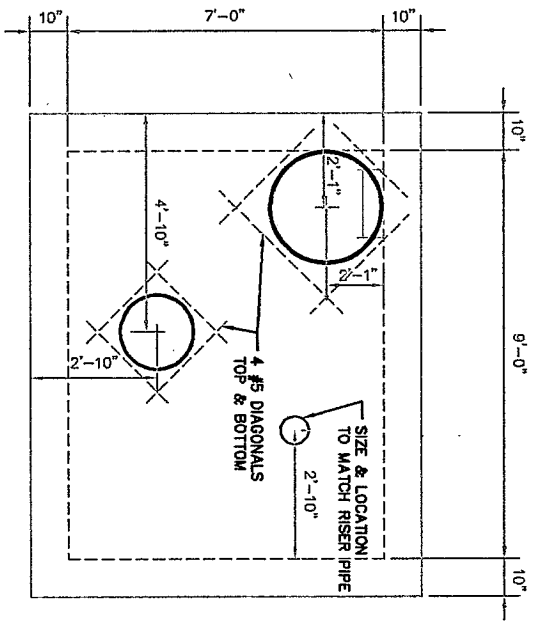


NOTES:  
 1. HOT DIP GALVANIZE AFTER FABRICATION.  
 2. PIPE SHALL BE SCHEDULE 40.

F ADJUSTABLE PIPE SUPPORT  
 1 N.T.S.



C SUMP SECTION  
 1 SCALE 1/2\"/>

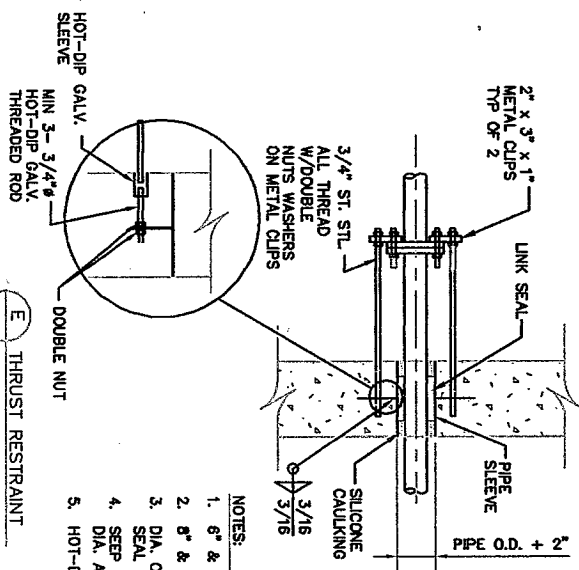


D DECK SLAB PLAN VIEW  
 1 SCALE 1/4\"/>

ADJUSTABLE PIPE SADDLE SUPPORT SCHEDULE  
 DIMENSIONS IN INCHES

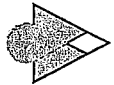
PIPE SIZE	A	B	C	D	
				MINIMUM	MAXIMUM
*2 1/2	2 1/2	1 1/2	9	8	13
3	2 1/2	1 1/2	9	8 1/2	13 1/2
3 1/2	2 1/2	1 1/2	9	8 1/2	13 1/2
4	3	2 1/2	9	9 1/2	14
6	3	2 1/2	9	10 1/2	15 1/2
8	3	2 1/2	9	11 1/2	16 1/2
10	3	2 1/2	9	13 1/2	18 1/2
12	3	2 1/2	9	15	19 1/2

\* USE 2 1/2" SUPPORTS FOR PIPE LESS THAN 2 1/2"



E THRUST RESTRAINT  
 1 TYP INLET & OUTLET PIPES  
 SCALE: 3/4\"/>

- NOTES:
1. 8" & SMALLER = SCH 40 STL PIPE
  2. 8" & SMALLER = 1/4" THICK STL PIPE
  3. DIA. OF SLEEVE AS PER LINK SEAL MANUFACTURE REC.
  4. SEEP RING = 1/4" THICK STL PLATE DIA. AS REQD.
  5. HOT-DIP GALVANIZE SLEEVE AFTER FABRICATION



WATER PRO INC.

6" & 8" FIRE FLOW DETECTOR  
 CHECK VAULT