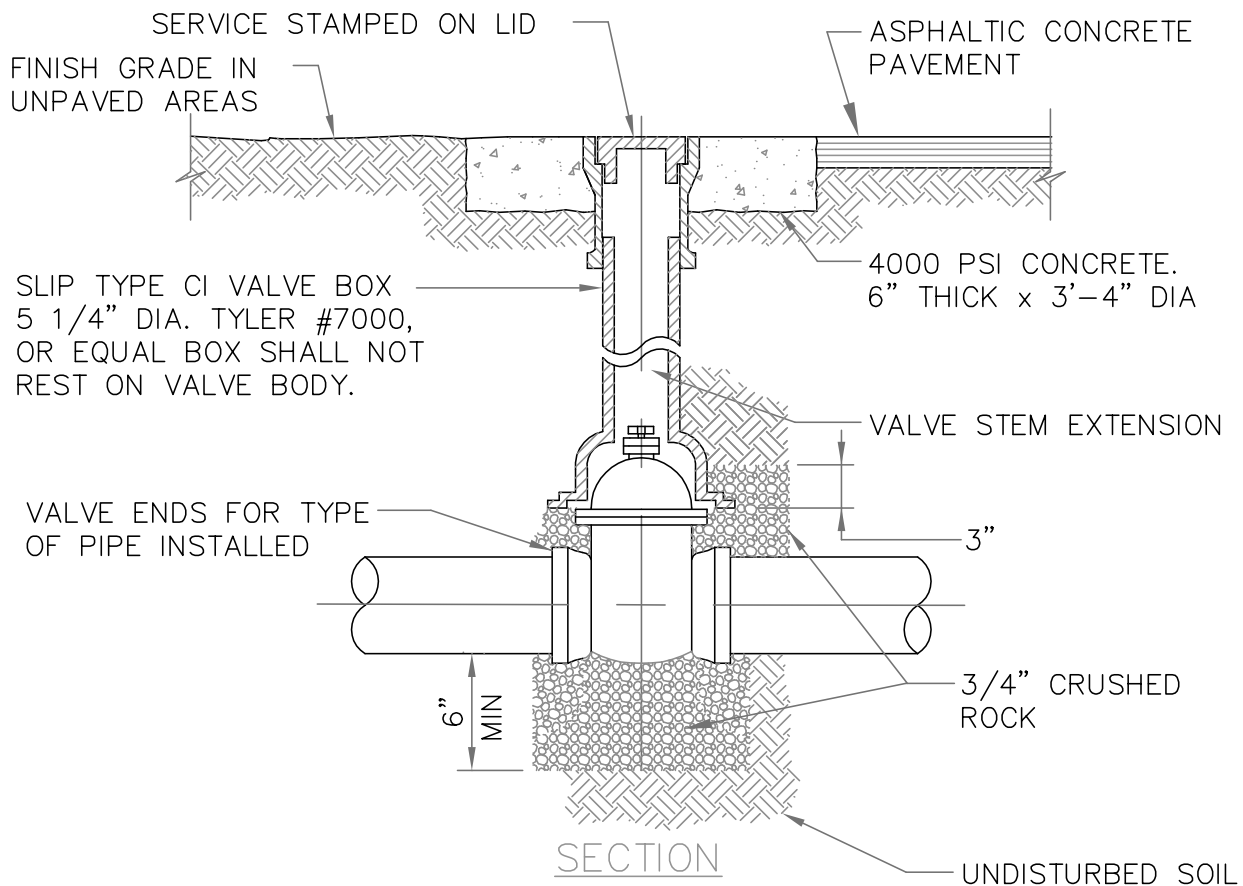


PLAN



SECTION

NOTES:

1. ALL BURIED VALVES SHALL BE PROVIDED W/2" SQ AWWA NUT WITHIN 4'-0" OF VALVE BOX COVER.
2. COAT BURIED PIPE & VALVE BOX PER SPECIFICATIONS.
3. CLEAN VALVE BOX OF ALL DEBRIS & SOIL.
4. VALVES 12" AND LARGER SHALL BE BUTTERFLY VALVES (BFV).

