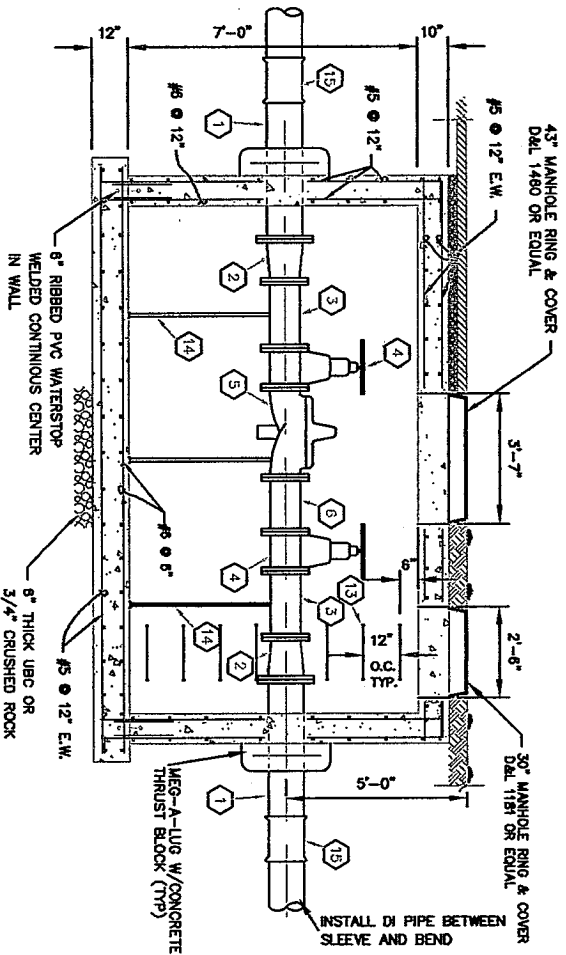


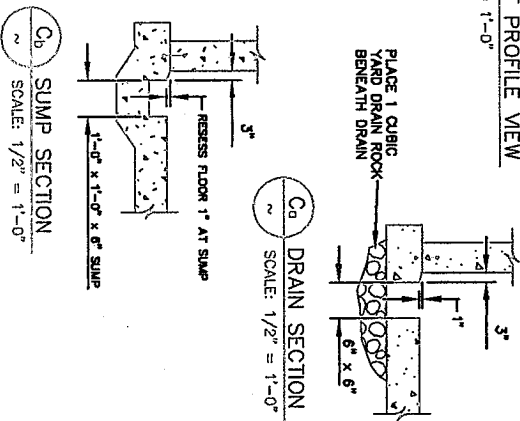
A PRV VAULT PLAN VIEW
SCALE: 3/8" = 1'-0"



B PRV VAULT PROFILE VIEW
SCALE: 3/8" = 1'-0"

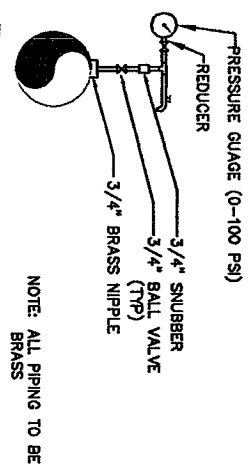
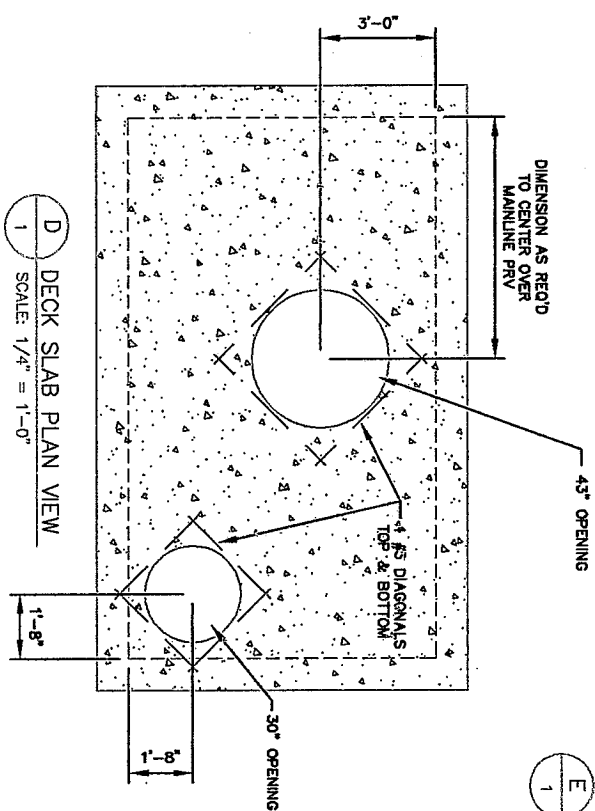
MARK	QUANTITY	6"	8"	10"	12"	DESCRIPTION
1	2	8"x8"	10"x10"	12"x12"	14"x12"	4'-0" LONG FLANGE DI PIPE
2	2	8"x8"	10"x8"	12"x10"	14"x12"	FL REDUCER
3	2	6"x2"	8"x4"	10"x8"	12"x8"	FL TEE
4	2	6"	8"	10"	12"	FL GATE VALVE
5	1	6"	8"	10"	12"	PRV BY DRAPER IRRIGATION
6	1	6"	8"	10"	12"	1'-0" LONG FL x GE DI PIPE (CLASS SS MIN.)
7	1	6"	8"	10"	12"	VEGETIC FLANGE ADAPTOR
8	2	2"	4"	6"	8"	FL GATE VALVE
9	2	2"	4"	6"	8"	FL 90° BEND
10	1	2"	4"	6"	8"	PRV BY DRAPER IRRIGATION
11	1	2"	4"	6"	8"	2'-0" LONG FL DI PIPE
12	1	2"	4"	6"	8"	2'-6" LONG FL x GE DI PIPE W/VEGETIC FLANGE ADAPTOR
13	-	-	-	-	-	POLYPROPYLENE MANHOLE STEPS
14	4	-	-	-	-	PIPE SUPPORT
15	2	8"	10"	12"	14"	MI SOLID SLEEVE

- NOTE:
1. CAST-IN-PLACE BOX SHOWN, PRECAST BOX ALTERNATE SUBJECT TO FOLLOWING:
a. H-20 LOADING
b. SUBMERGENCE DEPTH OF 8 FEET.
c. NO HORIZONTAL JOINTS.
d. WATER STOP @ WALL/FLOOR JOINT.
2. FLANGES TO BE 150 PSI ANSI FLANGES
3. ALL BOLTS TO BE STAINLESS STEEL.
4. GATE VALVES TO BE MUELLER VALVES OR APPROVED EQUAL.
5. BOX DIMENSIONS:
6"x8" PRV A=8'-0" B=10'-6"
10"x12" PRV A=8'-0" B=14'-0"
6. PLACE A SLUMP OR DRAIN AT THE LOW POINT OF THE BOX. CONSTRUCT A SLUMP WHERE A HIGH WATER TABLE MAYBE PRESENT, WHERE NO GROUND WATER IS PRESENT CONSTRUCT A DRAIN.



C0 SUMP SECTION
SCALE: 1/2" = 1'-0"

C0 DRAIN SECTION
SCALE: 1/2" = 1'-0"



ADJUSTABLE PIPE SADDLE SUPPORT SCHEDULE
DIMENSIONS IN INCHES

PIPE SIZE	A	B	C	D	
				MINIMUM	MAXIMUM
2 1/2	2 1/2	1 1/2	9	8	13
3	2 1/2	1 1/2	9	8 1/2	13 1/2
3 1/2	2 1/2	1 1/2	9	8 1/2	13 1/2
4	3	2 1/2	9	9 1/2	14
5	3	2 1/2	9	10 1/2	15 1/2
6	3	2 1/2	9	11 1/2	16 1/2
8	3	2 1/2	9	13 1/2	18 1/2
10	3	2 1/2	9	13 1/2	18 1/2
12	3	2 1/2	9	15	19 1/2

* USE 2 1/2" SUPPORTS FOR PIPE LESS THAN 2 1/2"

